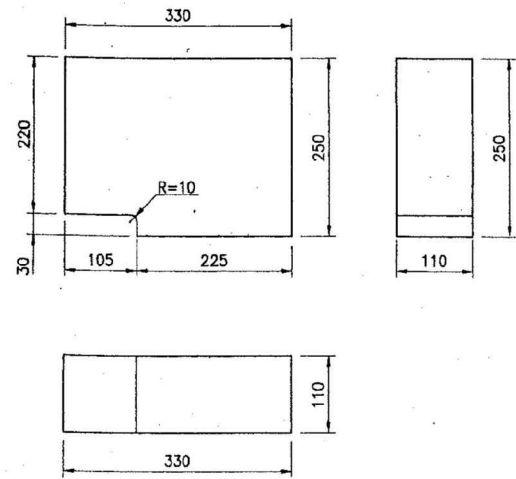
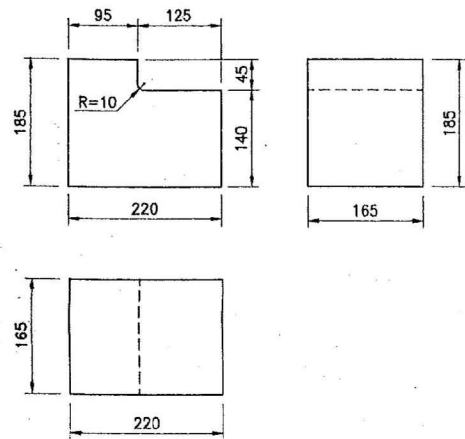


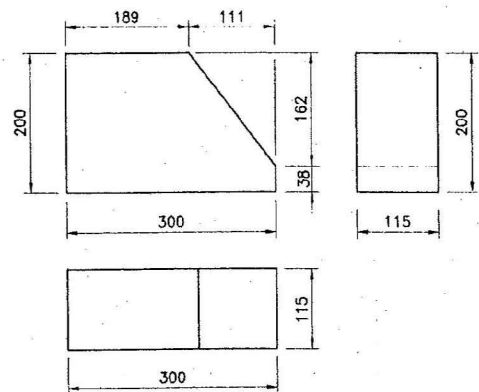
Allegato 4 al Capitolato tecnico



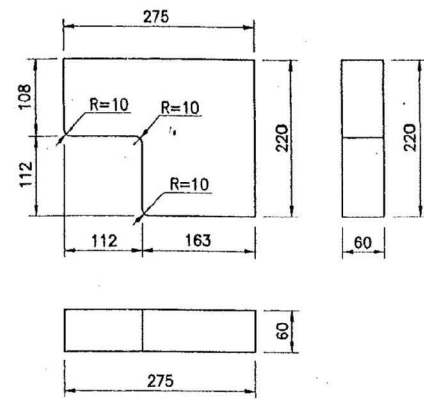
SPECIAL REFRACTORY BRICK MARK 'R1'



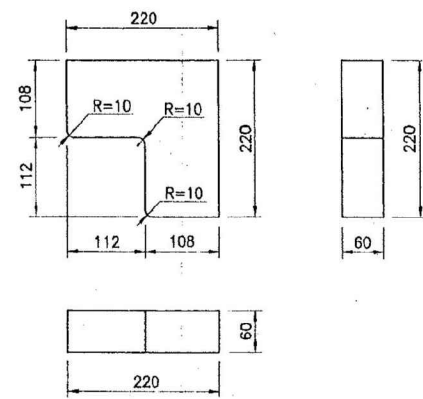
SPECIAL REFRACTORY BRICK MARK 'R2'



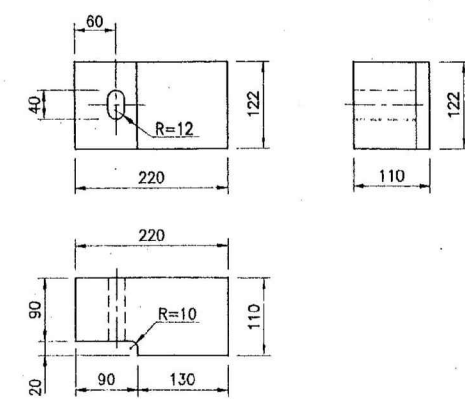
SPECIAL REFRACTORY BRICK MARK 'S1'



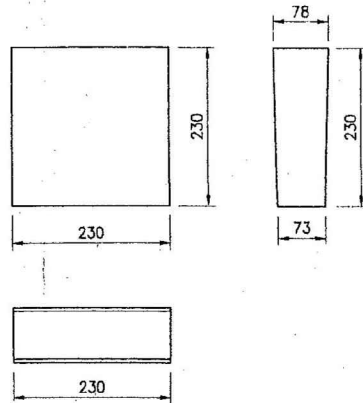
SPECIAL REFRACTORY BRICK MARK 'J2'



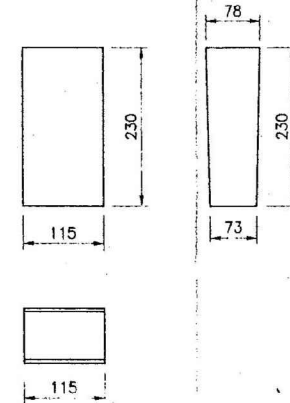
SPECIAL REFRACTORY BRICK MARK 'J1'



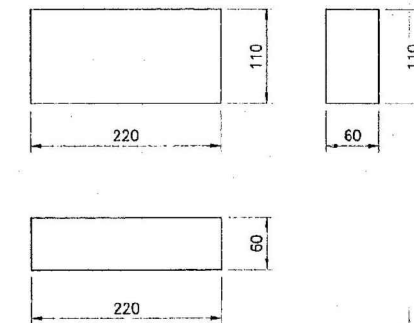
SPECIAL REFRACTORY BRICK MARK 'A1'



REFRACTORY SQUARE WEDGE MARK 'AR1'



REFRACTORY WEDGE MARK 'AR2'



REFRACTORY BRICK MARK 'N'



ALLEGATO N°4 MATTONI
REFRATTARI E PEZZI SPECIALI